

ATRIA[®]

HOLISTIC OUTDOOR DESIGN

atriadesigns.ca
604-428-1818
sales@atriadesigns.ca



AMBASSADOR

Elegant, horizontal patio cover with a fixed roof, finished with an aesthetic tension ceiling using Fixscreen technology.

PRODUCT CHARACTERISTICS

- Sleek design
- Protection from the sun, rain and wind
- Roof structure with fixed roof
- Solid top roof from profiled steel sheet with an anti-condensation coating
- Aesthetic span ceiling with tightly tensioned fibreglass fabric with Fixscreen technology
- Side elements and accessories surface-mounted
- 2-part joinable on the pivot without additional column



TECHNICAL DATA

Dimensions	
Span – Single	Min. 800 mm - max. 4500 mm
Span – Expanded	Min. 1600 mm - max. 6000 mm
Pivot	Min. 1110 mm - max. 6055 mm
Passage height	Min. 375 mm - max. 2800 mm
Total height	Passage height + 230 mm
Minimum required height when installing under a roof overhang	Passage height + 235 mm
Minimum number of water drainage points < 16 m ²	1
Minimum number of water drainage points > 16 m ²	2*
Testing and certificates	
Wind guarantee of roof	Up to 120 km/h
Wind guarantee of closed Fixscreen	Up to 60 km/h
Max. wind speed for Fixscreen operation	Up to max. 50 km/h
Water drainage flow	120 l/m ² .h
Load-bearing capacity	100 kg/m ²
Warranty	
Structure	7 years
Motors and controls	2 years
Somfy motors (Fixscreens)	5 years
Aluminium profile paintwork	10 years
Colour and shine	15 years**
Fixscreen technology	5 years
Operating methods	
Somfy RTS	✓***
Somfy IO	✓***
Somfy Connexoon	-
Somfy Tahoma	-
Renson App control	-

* Take note: if only 1 column is present, the drainage will only be 0.025 L/m².s [90 l/h]

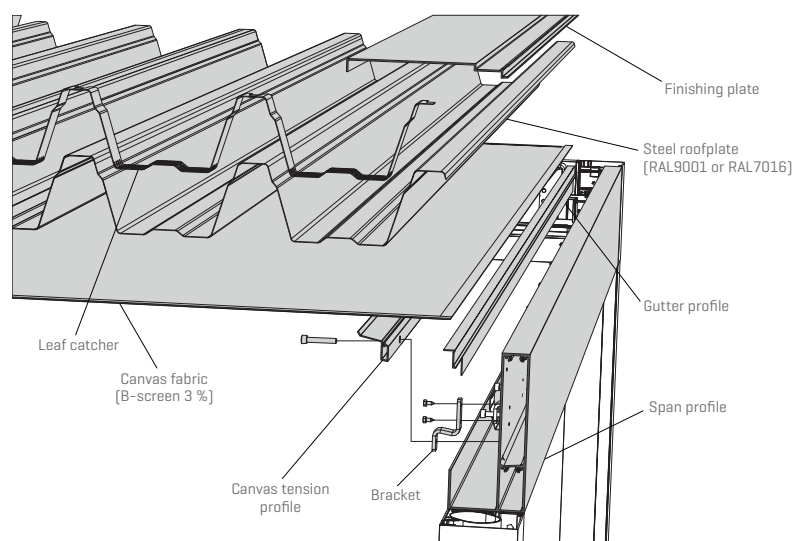
** Subject to registration of extended warranty and annual cleaning using the Renson[®] Maintenance Set

*** Only lighting and Fixscreens can be controlled. The fixed roof cannot be opened or closed.

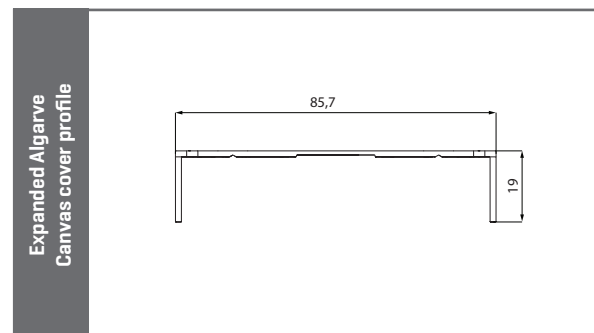
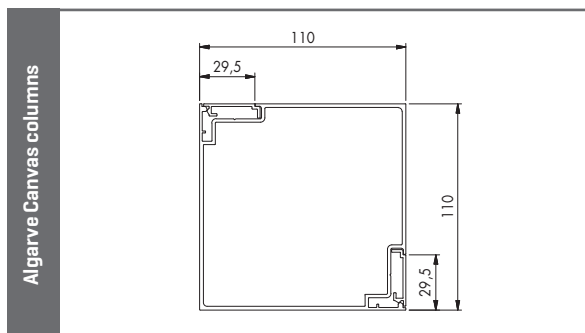
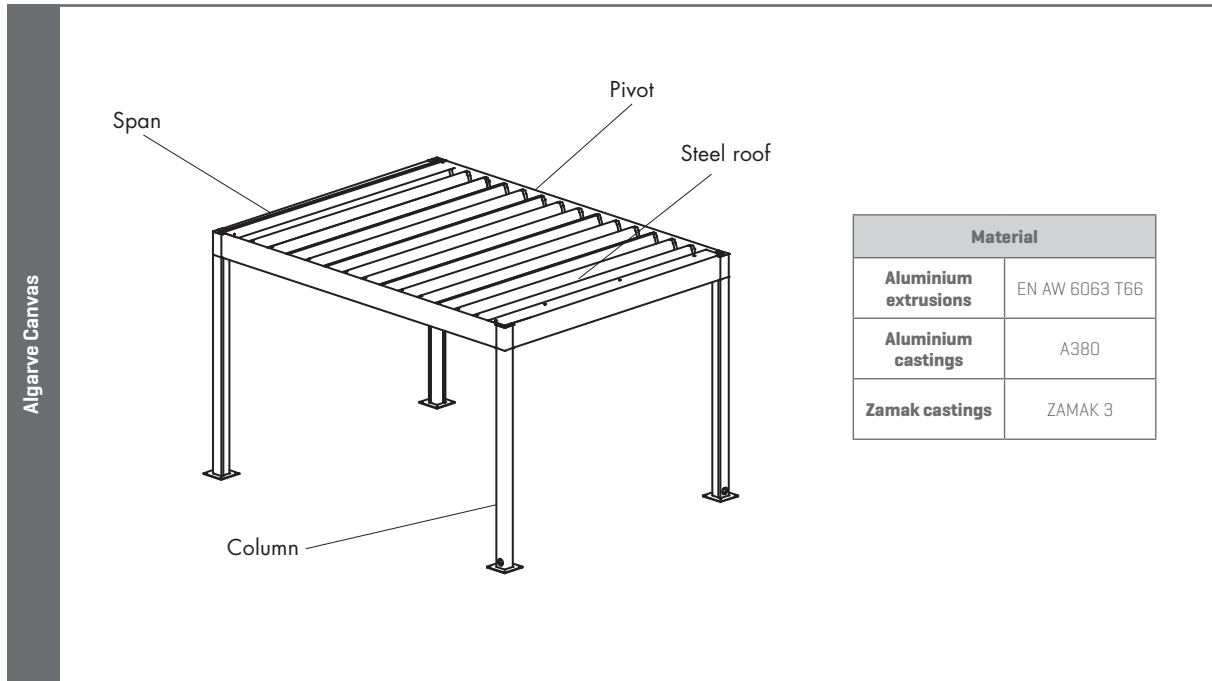
ACCESSORIES OVERVIEW

Fixscreens		
Integrated Fixscreen		-
Surface-mounted Fixscreen		✓
Sliding panels		
Loggia sliding panels		✓*
Loggiascreen Canvas sliding door		-
Glass walls		✓
Fixed walls		
Linus wall		✓
Linarte wall		-
Triangle		-
Outdoor curtains		
Outdoor curtains		✓
Column		
Extra column		✓
Shifted column		✓
Adjustable wall profile		-
Lighting		
Lineo LED blade		-
Updown LED		✓
Colomno LED		-
Lapure LED		-
Comfort & design		
Heating & sound		-
Beam Heat & Sound		-
Translucent Lineo Luce blades		-
Wooddesign		-
Protecto protection profile		-

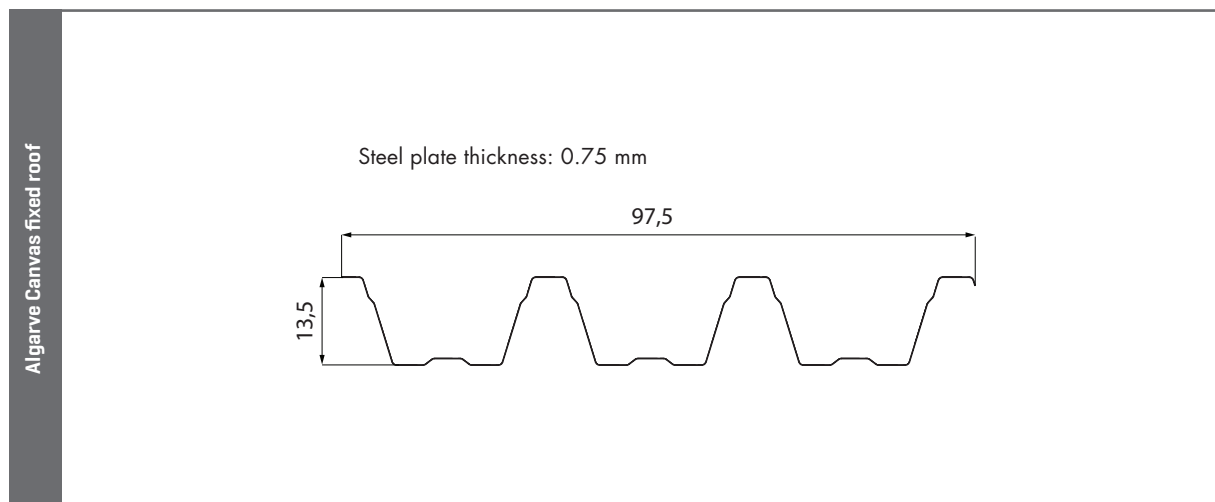
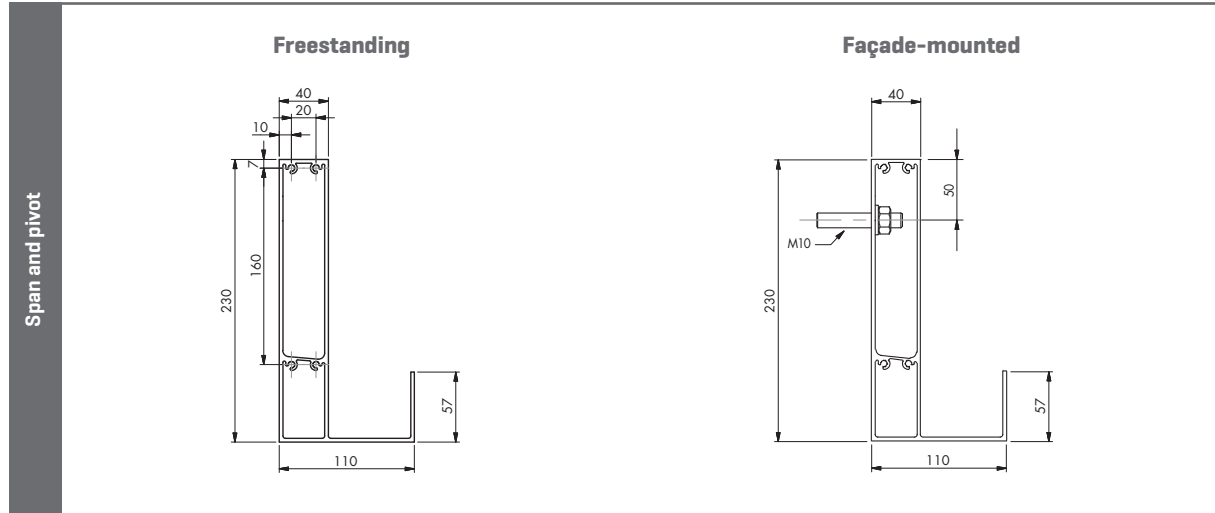
* Up to a free width of 4250 mm



PROFILES



PROFILES



SPECIFICATIONS PERFORMANCE DOP

European Document EN 1090-1: 2013

Essential characteristics	Performance
Tolerances on geometric data	Conform EN 1090-3 [aluminium constructions]
Weldability	NPD
Fracture toughness	NPD [Not required for aluminum products]
Load capacity	TEN document no 2017-0203 - EN 1990
Reaction to fire	EN 13501 - Class A1
Release of cadmium	NPD
Emission of radioactivity	NPD
Durability	NPD

WATER TESTS

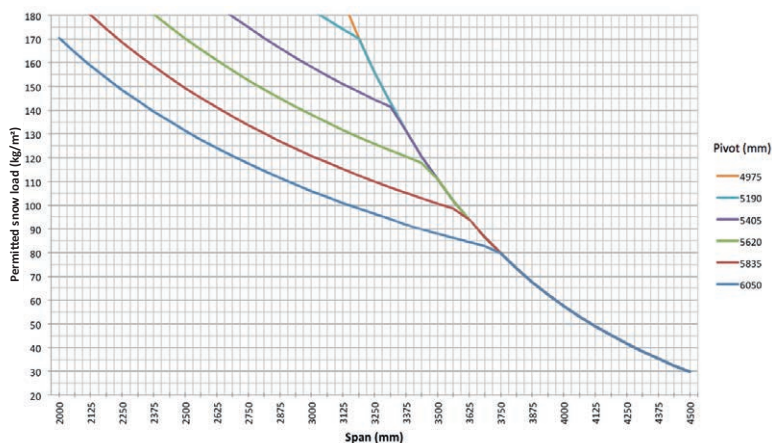
Water resistance and water drainage are tested using a spray installation that mimics rain. For example, we check how much water our patio covers can drain and how this drainage can be optimised.

The Algarve Canvas can drain an amount of water equivalent to a rain shower with an intensity of 120 l/m²/h that lasts up to 2 minutes. This kind of rain occurs on average once every ten years in Belgium [See Belgian rain statistics: NBN B 52-011 standard].

LOAD-BEARING CAPACITY

Patio covers are subjected to various external forces [e.g. snow]. The load-bearing capacity of our covers is determined using static strength calculations carried out by our engineers and validated through internal tests. The basic principle is that the structure is allowed to bend by 1/200th of its longest dimension without any permanent deformation occurring.

The load-bearing capacity of Algarve Canvas is dependent on the basic structure and the surface area. The diagram indicates the load-bearing capacity of our covers depending on their span and pivot dimensions.



SNOW LOAD

SINGLE ALGARVE CANVAS WITH INCREASED SNOW LOAD [kg/m ²]										
Pivot	Dimensions in mm	1800	2000	2200	2400	2600	2800	3000	3200	
	2615	300	300	300	300	300	300	300	300	300
	2830	300	300	300	300	300	300	300	300	300
	3045	300	300	300	300	300	300	300	300	300
	3260	300	300	300	300	300	300	300	300	300
	3475	300	300	300	300	300	300	300	300	300
	3690	300	300	300	300	300	300	300	300	300
	3905	300	300	300	300	300	300	300	300	300
	4120	300	300	300	300	300	300	300	300	300
	4335	300	300	300	300	300	300	300	300	300
	4550	300	300	300	300	300	300	300	300	300
	4765	300	300	300	300	300	300	300	300	300
	4980	300	300	300	300	300	300	300	300	300
	5195	300	300	300	300	300	300	300	300	300
	5410	300	300	300	300	300	300	300	300	300
	5625	300	300	300	300	300	300	300	300	300
5840	300	300	300	300	300	300	300	300	300	
6055	300	300	300	300	300	300	300	300	300	

SINGLE ALGARVE CANVAS WITH INCREASED SNOW LOAD [kg/m ²]								
Pivot	Dimensions in mm	3400	3600	3800	4000	4200	4400	4500
	2615	300	300	254	217	186	161	150
	2830	300	300	254	217	186	161	150
	3045	300	300	254	217	186	161	150
	3260	300	300	254	217	186	161	150
	3475	300	300	254	217	186	161	150
	3690	300	300	254	217	186	161	150
	3905	300	300	254	217	186	161	150
	4120	300	300	254	217	186	161	150
	4335	300	300	254	217	186	161	150
	4550	300	300	254	217	186	161	150
	4765	300	300	254	217	186	161	150
	4980	300	300	254	217	186	161	150
	5195	300	300	254	217	186	161	150
	5410	300	300	254	217	186	161	150
	5625	300	300	254	217	186	161	150
5840	300	300	254	217	186	161	150	
6055	300	300	254	217	186	161	150	

- Without intermediate column
- Intermediate column at half pivot

Tables are capped at 300 kg / m² because values above are no longer relevant.

SNOW LOAD

SINGLE ALGARVE CANVAS WITHOUT INTERMEDIATE COLUMN [kg/m ²]									
	Dimensions in mm	1800	2000	2200	2400	2600	2800	3000	3200
Pivot	2615	300	300	300	300	300	300	300	300
	2830	300	300	300	300	300	300	300	300
	3045	300	300	300	300	300	300	300	300
	3260	300	300	300	300	300	300	300	300
	3475	300	300	300	300	300	300	300	300
	3690	300	300	300	300	300	300	300	300
	3905	300	300	300	300	300	300	300	300
	4120	300	300	300	300	300	300	300	285
	4335	300	300	300	300	300	293	273	255
	4550	300	300	300	300	285	264	246	230
	4765	300	300	300	281	258	239	223	208
	4980	300	300	279	255	235	217	202	189
	5195	300	274	249	227	209	193	180	168
	5410	268	240	218	199	183	169	157	147
	5625	236	211	191	175	160	148	138	129
	5840	209	187	169	154	141	131	121	113
6055	185	166	150	136	125	116	107	100	

SINGLE ALGARVE CANVAS WITHOUT INTERMEDIATE COLUMN [kg/m ²]								
	Dimensions in mm	3400	3600	3800	4000	4200	4400	4500
Pivot	2615	300	300	254	217	186	161	150
	2830	300	300	254	217	186	161	150
	3045	300	300	254	217	186	161	150
	3260	300	300	254	217	186	161	150
	3475	300	300	254	217	186	161	150
	3690	300	300	254	217	186	161	150
	3905	300	283	254	217	186	161	150
	4120	268	252	238	217	186	161	150
	4335	240	226	214	202	186	161	150
	4550	216	203	192	182	173	161	150
	4765	195	184	174	165	156	149	145
	4980	177	167	158	149	142	135	132
	5195	157	148	140	132	126	120	117
	5410	137	129	122	115	109	104	102
	5625	120	113	107	101	96	91	89
	5840	106	99	94	89	84	80	78
6055	93	88	83	78	74	70	68	

 Beam deflection (PIVOT) less than L/200

 Bending stress (PIVOT) less than maximum allowable bending stress taking into account safety factor 1.5

 Steel deck deflection less than L/200 - Represents the limiting factor

Tables are capped at 300 kg/m² because values above are no longer relevant.

INDICATION WEIGHT

WEIGHT OF ALGARVE CANVAS WITHOUT COLUMNS [kg]								
Pivot [mm]	Span [mm]							
	1800	2000	2200	2400	2600	2800	3000	3200
2615	111	119	126	134	142	149	157	164
2830	127	136	145	155	163	172	181	190
3045	130	139	149	158	166	175	184	194
3260	133	142	152	161	169	178	188	197
3475	148	160	170	180	191	202	212	223
3690	152	163	173	183	195	205	215	226
3905	155	166	176	187	198	208	218	230
4120	158	169	179	190	201	211	222	233
4335	174	186	198	210	222	235	247	259
4550	177	189	201	213	225	238	250	263
4765	180	193	204	216	229	241	253	266
4980	195	210	223	237	250	264	278	291
5195	199	213	226	240	253	268	281	294
5410	202	216	230	243	256	271	284	298
5625	218	233	248	263	279	294	308	324
5840	221	236	251	266	282	297	312	327
6055	224	240	254	270	285	300	315	330

WEIGHT OF ALGARVE CANVAS WITHOUT COLUMNS [kg]							
Pivot [mm]	Span [mm]						
	3400	3600	3800	4000	4200	4400	4500
2615	172	180	188	195	202	210	215
2830	200	209	218	227	237	245	251
3045	203	212	221	231	240	248	254
3260	206	215	225	234	243	251	258
3475	233	245	255	265	277	287	294
3690	237	248	258	269	280	290	297
3905	240	251	262	272	283	294	301
4120	243	255	265	275	287	297	304
4335	271	283	295	308	320	332	339
4550	274	286	299	311	323	336	343
4765	277	290	302	314	327	339	346
4980	305	319	332	347	360	373	382
5195	309	322	336	350	363	377	385
5410	312	325	339	353	367	380	388
5625	339	355	369	385	400	415	425
5840	343	358	372	388	403	419	428
6055	346	361	376	391	407	422	431

The table above shows the weight of the Algarve Canvas frame; the weight of the columns was not taken into account. Each column present in the configuration will result in an additional weight of 4.8 kg / meter column.